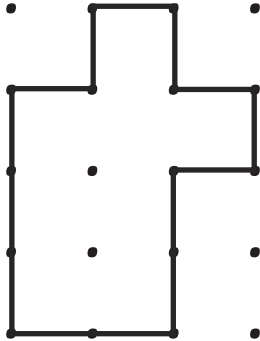


Properties of Shapes Booklet Answers

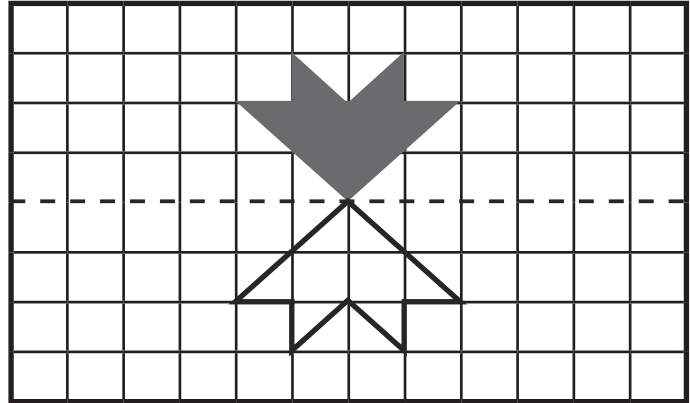
1. Accept any four-sided polygon with one right angle.

2. 1.28metres

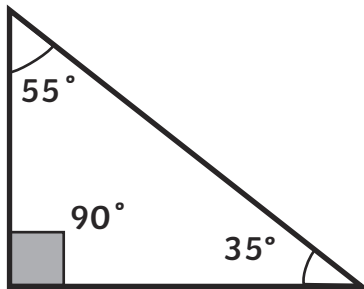
3.



4.



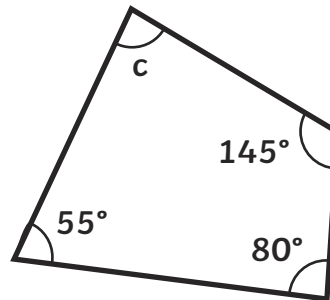
5.



$$90^\circ + 35^\circ = 125^\circ$$

$$180^\circ - 125^\circ = 55^\circ$$

55°



$$145^\circ + 80^\circ + 55^\circ = 280^\circ$$

$$360^\circ - 280^\circ = 80^\circ$$

80°

6.

	Number of Faces	Number of Edges	Number	2D Shape Faces
Triangular Prism	5	9	6	triangle rectangle
Cube	6	12	8	square
Octahedron	8	12	6	triangle
Pentagonal Prism	7	15	10	pentagon rectangle

7. 148°

44°

155°

86°